

EQN1218-07 Negative Slope Equalizer

12.0 to 18.0 GHz



Technical Characteristics

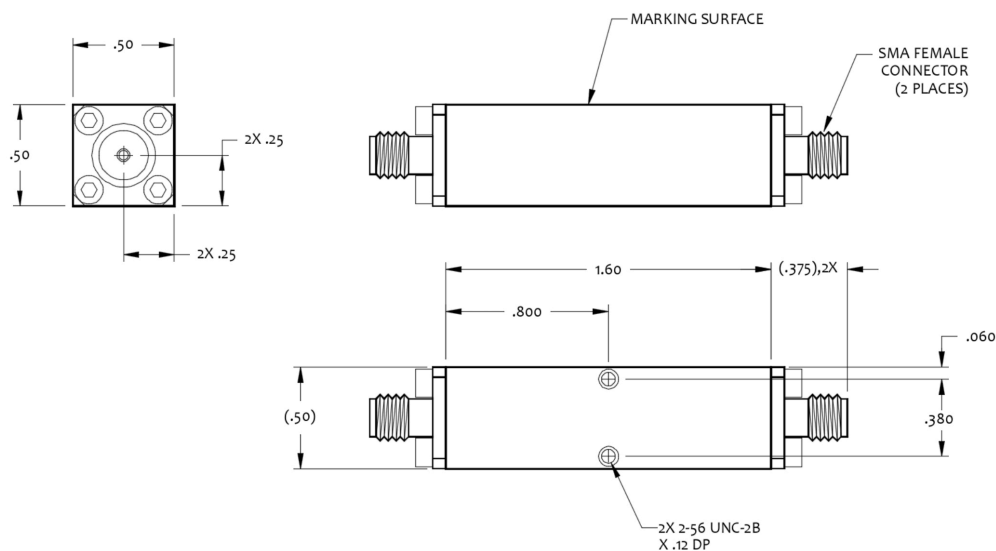
Product Features
Fixed or adjustable attenuation tuning
Low insertion loss
SMA connector standard
Impedance 50 or 75 ohms
Compact size
Meets MIL-E-5400 and MIL-E-16400 environmental requirements

Maximum Ratings	
Max. Input Power	250mW
Operating Temperature	-55 to +95°C
Storage Temperature	-65 to +125°C
Specifications @	25°C

Maximum Ratings	
ECCN: EAR 99 (Unless otherwise specified)	
HTS: 8543.7080.00	

Parameters	Freq. (GHz)	Minimum	Typical	Maximum	Units	Conditions
Attenuation	12.0 to 18.0		7.0		dB	
Insertion Loss	18.0		1.25		dB	
VSWR	12.0 to 18.0		1.8:1			
Linearity	12.0 to 18.0		+/-0.75		dB	
Max. Input Power	12.0 to 18.0			250	mW	

Package Outline



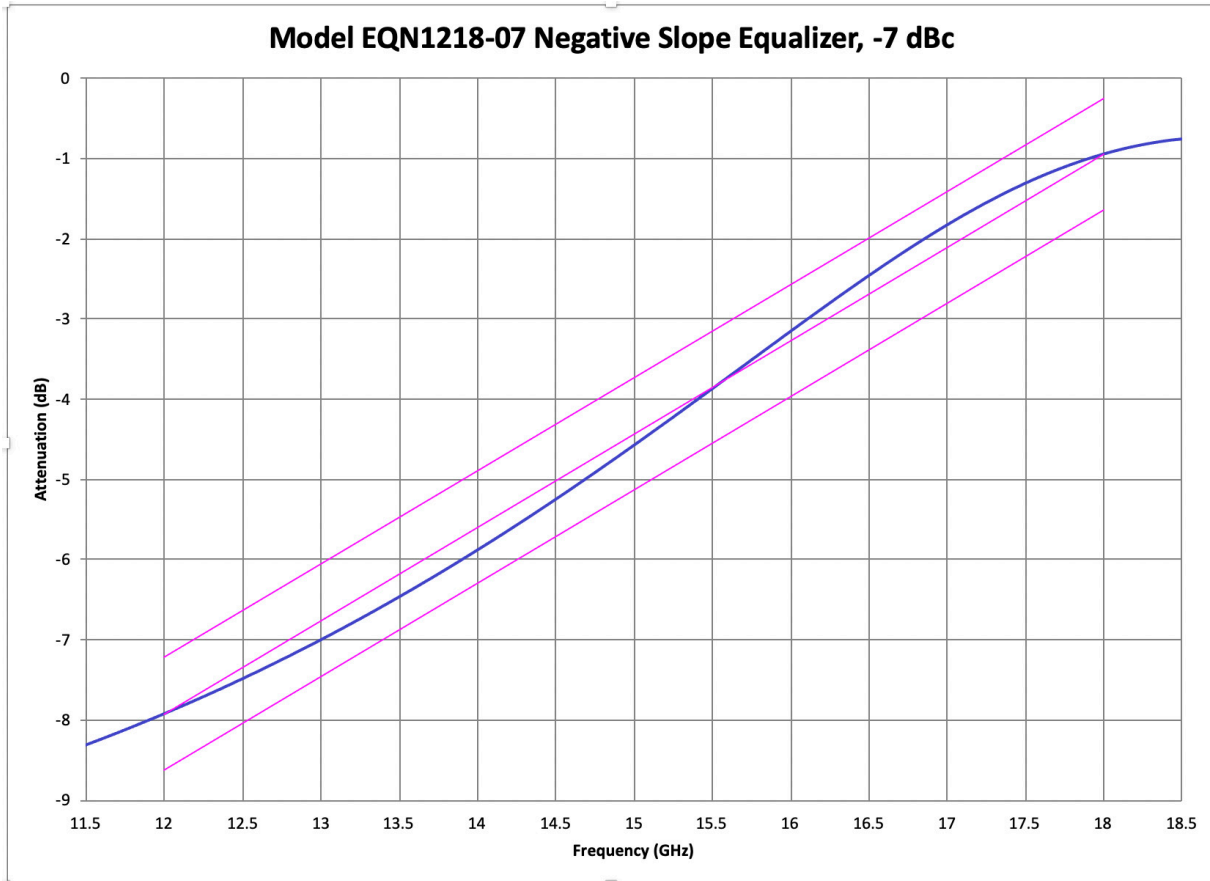
DISCLAIMER: Subject to change without notice.
Rev(B) 09/12/19

EQN1218-07 Negative Slope Equalizer

12.0 to 18.0 GHz



Test Data



DISCLAIMER: Subject to change without notice.
Rev(B) 09/12/19